

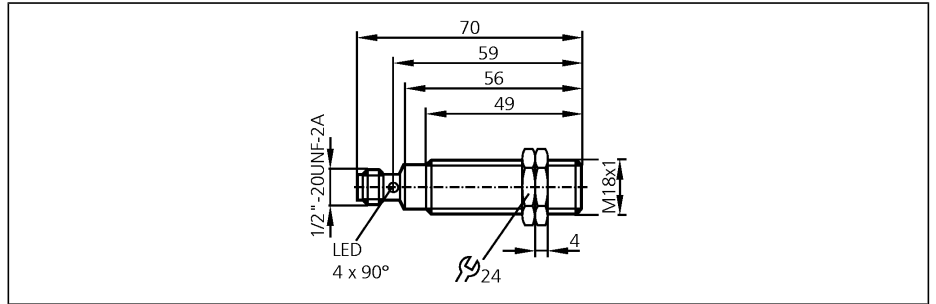
Inductive sensors

IGS001

IGK2008BARKA/M/LS
Inductive sensor
Metal thread M18 x 1
Quick disconnect

Increased sensing range
gold-plated contacts

Sensing range 8mm [f]
flush mountable



Electrical design	AC/DC
Output	normally open
Operating voltage [V]	20...140 AC/DC (47...63 Hz AC)
Current rating (continuous) [mA]	200
Current rating (peak) [mA]	\hat{i} : 1.2 A (20 ms / 0.5 Hz)
Minimum load current [mA]	5
Short-circuit protection	Yes (non-latching)
Reverse polarity protection	yes
Overload protection	yes
Voltage drop [V]	< 5.5
Leakage current [mA]	< 1
Real sensing range [mm]	8 ± 10 %
Operating distance [mm]	0...6.5
Switch-point drift [% of Sr]	-10...10
Hysteresis [% of Sr]	3...15
Switching frequency [Hz]	25
Correction factors	mild steel = 1 / stainless steel approx. 0.7 / brass approx. 0.5 / Al approx. 0.4 / Cu approx. 0.3
Operating temperature [°C]	-25...70
Protection	IP 67, II
EMC	EN 61000-4-2 ESD: 4 kV CD / 8 kV AD EN 61000-4-3 HF radiated: 10 V/m (80...1000 MHz) EN 61000-4-4 Burst: 2 kV EN 61000-4-6 HF conducted: 10 V (0.15...80 MHz) EN 55011: class B
Housing material	brass white bronze coated; PBT (Pocan)
Function display	
Switching status LED	yellow (4 x 90°)
Connection	1/2" connector; gold-plated contacts
Accessories (included)	2 lock nuts

Wiring

