

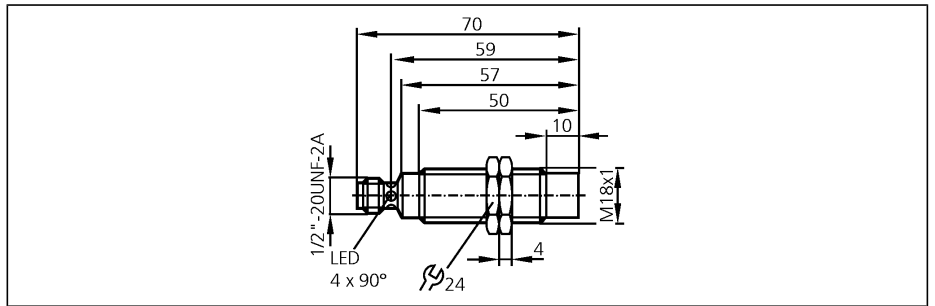
Inductive sensors

IGT001

IGK2012-ARKA/M/V4A/LS
 Inductive sensor
 Metal thread M18 x 1
 Quick disconnect

 gold-plated contacts

 Sensing range 12mm [nf]
 non-flush mountable



Electrical design
Output

Operating voltage	[V]
Current rating (continuous)	[mA]
Current rating (peak)	[mA]
Minimum load current	[mA]
Short-circuit protection	
Reverse polarity protection	
Overload protection	
Voltage drop	[V]
Leakage current	[mA]
Power-on delay time [s]	
Real sensing range	[mm]
Operating distance	[mm]
Switch-point drift	[% of Sr]
Hysteresis	[% of Sr]
Switching frequency	[Hz]
Correction factors	
Operating temperature	[°C]
Protection	
EMC	
Housing material	
Function display	
Switching status	LED
Connection	
Remarks	
Accessories (included)	

AC/DC
normally open

20...140 AC/DC (47...63 Hz AC)
200 / 80 (> 80 °C)
\hat{i} : 1.2 A (20 ms / 0.5 Hz)
5
Yes (non-latching)
yes
yes
< 5.5
< 1
approx. 1
12 ± 10 %
0...9.7
-10...10
1...20
25 AC / 300 DC
mild steel = 1 / stainless steel approx. 0.7 / brass approx. 0.5 / Al approx. 0.4 / Cu approx. 0.3
0...100
IP 68 / IP 69 K *, II
EN 61000-4-2 ESD: 4 kV CD / 8 kV AD
EN 61000-4-3 HF radiated: 10 V/m (80...1000 MHz)
EN 61000-4-4 Burst: 2 kV
EN 61000-4-6 HF conducted: 10 V (0.15...80 MHz)
EN 55011: class B
V4A (316S12); PEEK (polyether ether ketone)
yellow (4 x 90°)
1/2" connector; gold-plated contacts
*) "COP"
2 lock nuts

Wiring

