

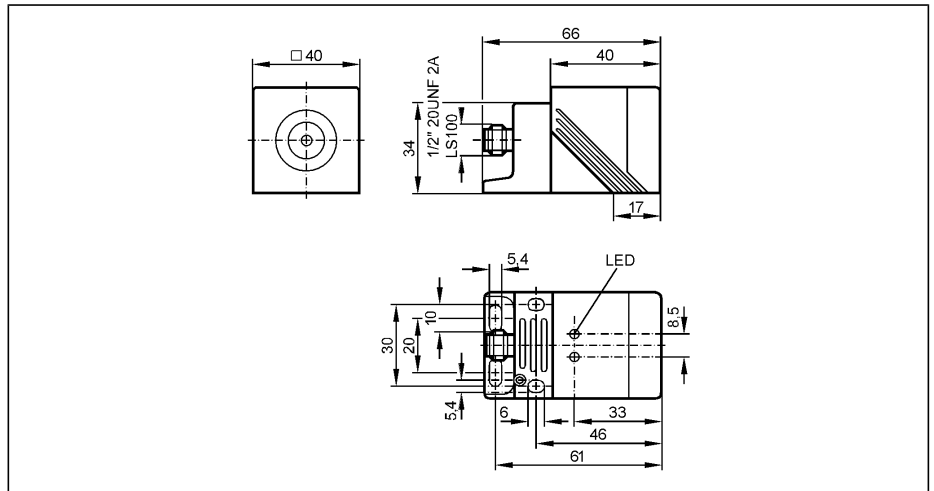
Inductive sensors

**IM0057**

IMC2035-BBOA/SL/LS-100AK  
Inductive sensor  
Rectangular plastic  
Quick disconnect

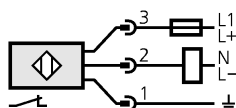
Increased sensing range

Sensing range 35mm [nf]  
non-flush mountable



Electrical design	AC/DC
<b>Output</b>	<b>normally closed</b>
Operating voltage [V]	20...250 AC/DC
Current rating (continuous) [mA]	350 AC (...50 °C) / 250 AC (...70 °C) / 100 DC
Current rating (peak) [mA]	$\hat{i}$ : 2.2 A (20 ms / 0.5 Hz)
Minimum load current [mA]	< 1.9
Short circuit proof	no
Reverse polarity protection	no
Overload protection	no
Voltage drop [V]	< 6.5 AC / < 6 DC
Leakage current [mA]	< 0.8
Operating distance [mm]	0...28.3
Hysteresis [% of Sr]	3...15
Switching frequency [Hz]	20 AC / 50 DC
Correction factors	mild steel = 1 / stainless steel approx. 0.7 / brass approx. 0.4 / Al approx. 0.4 / Cu approx. 0.3
Operating temperature [°C]	-25...70
Protection	IP 67, I
EMC	EN 60947-5-2 EN 55011: class B
Housing material	PPE; bracket: PPS; connector housing: brass white bronze coated
Function display	
Switching status LED	yellow
Connection	1/2" connector
Remarks	Recommendation: check the unit for reliable function after a short circuit. 5 positions of the active zone possible

**Wiring**



Note: miniature fuse to IEC60127-2 sheet 1,  
≤ 2 A (fast acting)

**IM0057**