

Inductive sensors

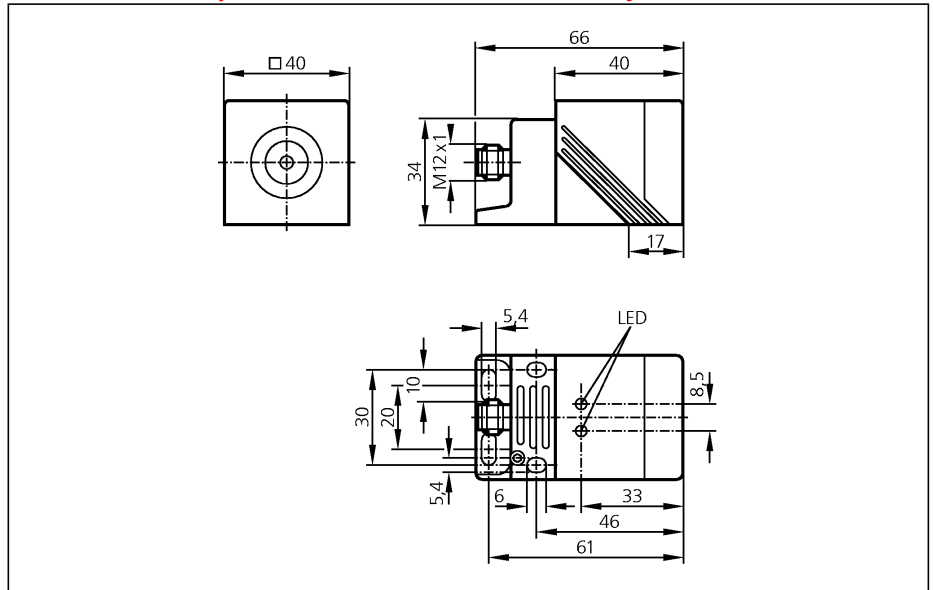
Alternative article: IM5134 or IM5136

When selecting an alternative article please note that technical data may differ!

IM5066

IMC4035-CPKG/US
Inductive sensor
Rectangular plastic
Quick disconnect

Sensing range 35mm [nf]
non-flush mountable

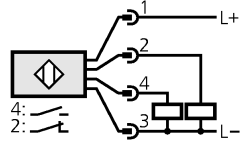


Electrical design	
Output	
Operating voltage	[V]
Current rating	[mA]
Short-circuit protection	
Reverse polarity protection	
Overload protection	
Voltage drop	[V]
Current consumption	[mA]
Real sensing range	[mm]
Operating distance	[mm]
Switch-point drift	[% of Sr]
Hysteresis	[% of Sr]
Switching frequency	[Hz]
Correction factors	
Operating temperature	[°C]
Protection	
EMC	
Housing material	
Function display	
Switching status	LED
Power	LED
Connection	
Remarks	
Accessories (included)	

DC PNP complementary	
Operating voltage	10...36 DC
Current rating	250
Short-circuit protection	Yes (non-latching)
Reverse polarity protection	yes
Overload protection	yes
Voltage drop	< 2.5
Current consumption	< 20 (24 V)
Real sensing range	35 ± 10 %
Operating distance	0...28.3
Switch-point drift	-10...10
Hysteresis	1...15
Switching frequency	100
Correction factors	mild steel = 1 / stainless steel approx. 0.7 / brass approx. 0.4 / Al approx. 0.3 / Cu approx. 0.2
Operating temperature	-25...70
Protection	IP 67, II
EMC	EN 60947-5-2 EN 55011: class B
Housing material	housing: PPE; active face: PPE; end cap: PPS; connector housing: brass white bronze coated; bracket: PPS
Function display	
Switching status	yellow
Power	green
Connection	M12 connector
Remarks	5 positions of the active zone possible
Accessories (included)	Mounting bracket, hex-wrench

IM5066

Wiring



Alternative article: IM5134 or IM5136

When selecting an alternative article please note that technical data may differ!