

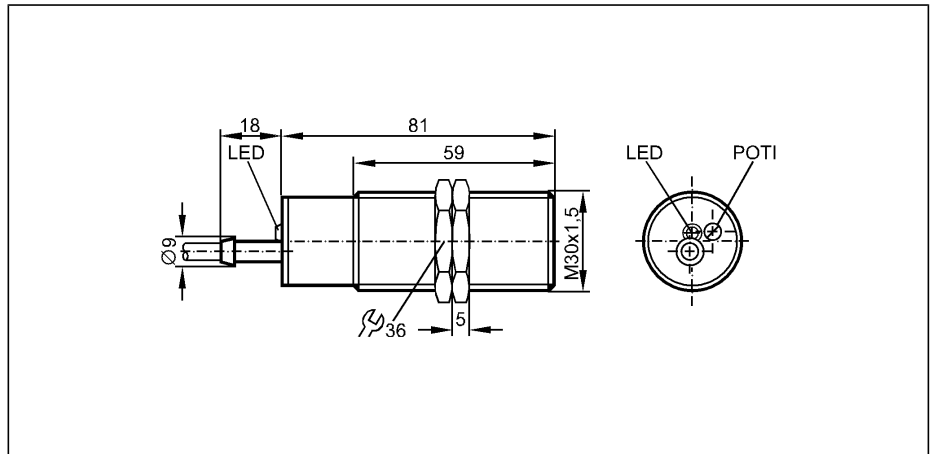
Capacitive sensors

KI0207

KI-2015-BBOA/NI/0.1m/LS
 Capacitive sensor
 Plastic thread M30 x 1.5
 Cable with connector

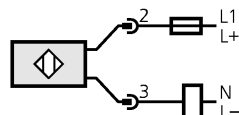
Increased immunity to conducted radio frequency interference

Sensing range 15mm [nf]
 adjustable 3...15 mm
 non-flush mountable



Electrical design	AC/DC
Output	normally closed
Operating voltage [V]	20...250 AC/DC
Current rating (continuous) [mA]	250 (...50 °C) / 200 (...70 °C)
Current rating (peak) [mA]	\hat{i} : 1.5 A (20 ms / 0.5 Hz)
Minimum load current [mA]	5
Short circuit proof	no
Reverse polarity protection	no
Overload protection	no
Voltage drop [V]	< 10 AC / < 8 DC
Leakage current [mA]	< 2.5 (250 V AC) / < 1.7 (110 V AC) / < 1.5 (24 V DC)
Real sensing range [mm]	15 ± 10 %
Operating distance [mm]	0...12.1
Switch-point drift [% of Sr]	-15...15
Hysteresis [% of Sr]	1...15
Switching frequency [Hz]	25 AC / 50 DC
Correction factors	water = 1 / glass approx. 0.4 / ceramics approx. 0.2 / PVC approx. 0.2
Operating temperature [°C]	-25...70
Protection	IP 65, II
EMC	IEC 60947-5-2: 1997 + A1: 1999 + A2: 2003
Housing material	PBT
Function display	
Switching status LED	red
Connection	PVC cable / 0,1 m; 2 x 0.5 mm ² ; with 1/2" connector
Remarks	Recommendation: check the unit for reliable function after a short circuit.
Accessories (included)	2 lock nuts, screwdriver

Wiring



Note: miniature fuse to IEC60127-2 sheet 1,
 ≤ 2 A (fast acting)