

Photoelectric sensors

OG5115

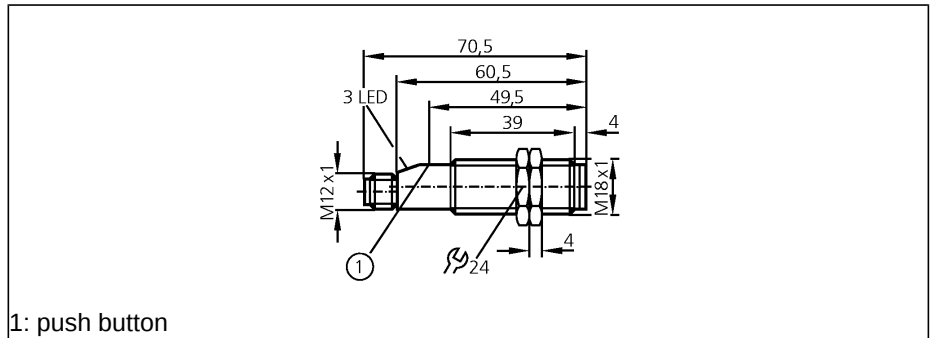
OGP-FPKG/B1/V4A/US
Retro-reflective sensor
Threaded type M18 x 1
Quick disconnect

Polarization filter
Function check output
gold-plated contacts

Sensing range 3m
(Prismatic reflector Ø 80 (E20005))
adjustable

Electrical design
Output

Light spot diameter	[mm]
Operating voltage	[V]
Current rating	
Switching output	[mA]
Function check output	[mA]
Short-circuit protection	
Reverse polarity protection	
Overload protection	
Voltage drop	
Switching output	[V]
Function check output	[V]
Current consumption	[mA]
Switching frequency	[Hz]
Type of light	
Operating temperature	[°C]
Protection	
EMC	
Housing material	
Material lens	
Function display	
Switching status	LED
Power	LED
Function	LED
Connection	
Accessories (included)	



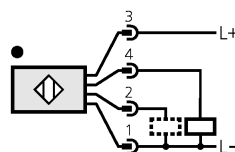
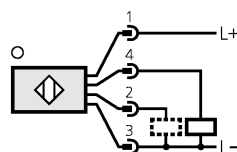
1: push button



DC PNP
light-on / dark-on programmable

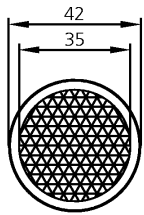
Light spot diameter	262 (RW = max.)
Operating voltage	10...36 DC
Current rating	
Switching output	200
Function check output	10
Short-circuit protection	Yes (non-latching)
Reverse polarity protection	yes
Overload protection	yes
Voltage drop	
Switching output	< 2.5
Function check output	< 3.5
Current consumption	< 32
Switching frequency	500
Type of light	transmitter red light 660 nm
Operating temperature	-25...80
Protection	IP 68 / IP 69 K, II
EMC	EN 60947-5-2 EN 55011: class B
Housing material	stainless steel (316S12); PBT
Material lens	PMMA
Function display	
Switching status	yellow
Power	green
Function	red
Connection	M12 connector; gold-plated contacts
Accessories (included)	2 lock nuts

Wiring



2: function check

Accessories

E20004	
Prismatic reflector Ø 42 mm	
Design	round for types O5P, OA, OC, OE, OF, OG, OH, OI, OJ, OL, OM, OR, OS, OT, OU
Fastening	sticking to a surface
Thickness [mm]	6
Operating temperature [°C]	-10...58
Housing material	plastics

OG5115

excess gain graphs

