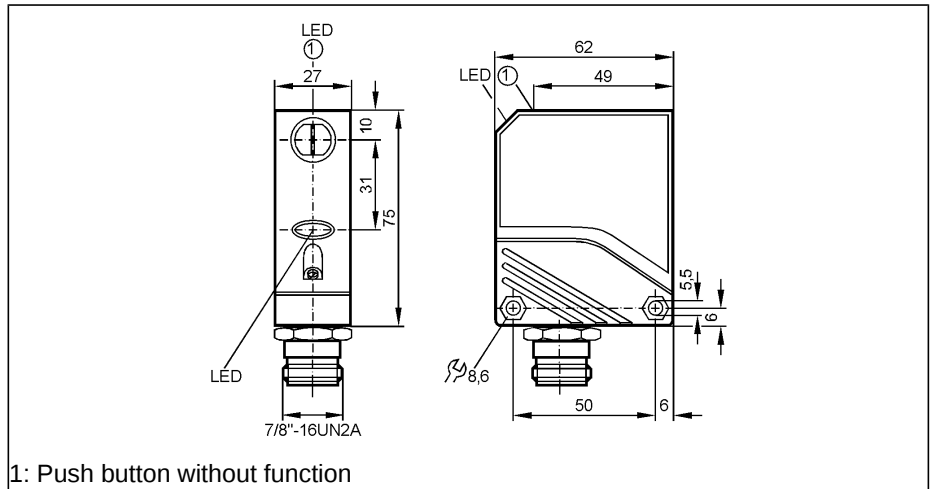


Photoelectric sensors

OL0012

OLS-000A/SL/LS
Through-beam sensor
Rectangular plastic
Quick disconnect
Transmitter

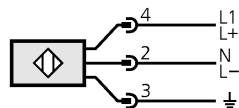
Sensing range 25m



Electrical design	
Light spot diameter	[mm]
Operating voltage	[V]
Short circuit proof	
Reverse polarity protection	
Overload protection	
Power consumption	[VA]
Type of light	
Life expectancy typ.	[h]
Operating temperature	[°C]
Protection	
EMC	
Housing material	
Material lens	
Function display	
Power	LED
Connection	
Remarks	

AC/DC	
	< 2000 (RW max = 25m)
	20...250 AC/DC (47...63 Hz AC)
	no
	no
	no
	< 4
	transmitter infrared 880 nm
	100000 (25 °C)
	-25...80
	IP 67, I
	EN 60947-5-2
	EN 55011: class B
	PA; PBT
	PMMA
	green
	7/8" connector
	Recommendation: check the unit for reliable function after a short circuit.

Wiring



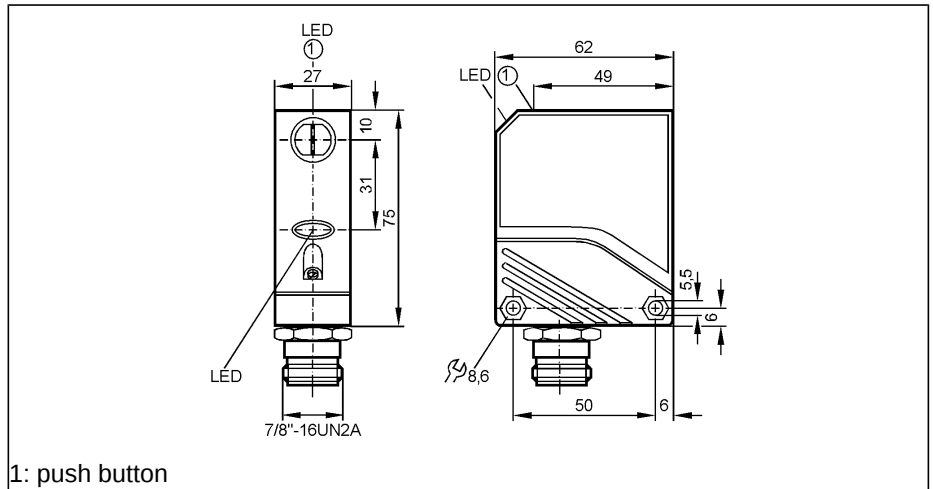
Note: miniature fuse to IEC60127-2 sheet 1, ≤ 2 A (fast acting)

Photoelectric sensors

OL0013

OLE-FKOA/SL/LS
Through-beam sensor
Rectangular plastic
Quick disconnect
Receiver

Sensing range 25m

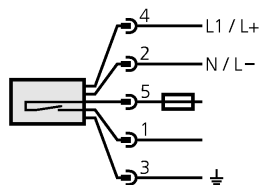


1: push button



Electrical design	AC/DC relay
Output	light-on / dark-on programmable
Operating voltage [V]	20...250 AC/DC (47...63 Hz AC)
Contact rating	250 V AC / 3 A / 950 VA, 125 V DC / 5 A / 120 W
Short circuit proof	no
Reverse polarity protection	no
Overload protection	no
Power consumption [VA]	< 4
Switching frequency [Hz]	10
Type of light	receiver infrared light 880 nm
Life expectancy typ. [h]	100000 (25 °C)
Operating temperature [°C]	-25...80
Protection	IP 67, I
EMC	EN 60947-5-2 EN 55011: class B
Housing material	PA; PBT
Material lens	PMMA
Function display	
Switching status LED	yellow
Power LED	green
Function LED	red
Connection	7/8" connector
Remarks	Recommendation: check the unit for reliable function after a short circuit.

Wiring



Note: miniature fuse to IEC60127-2 sheet 1, ≤ 5 A (fast acting)