

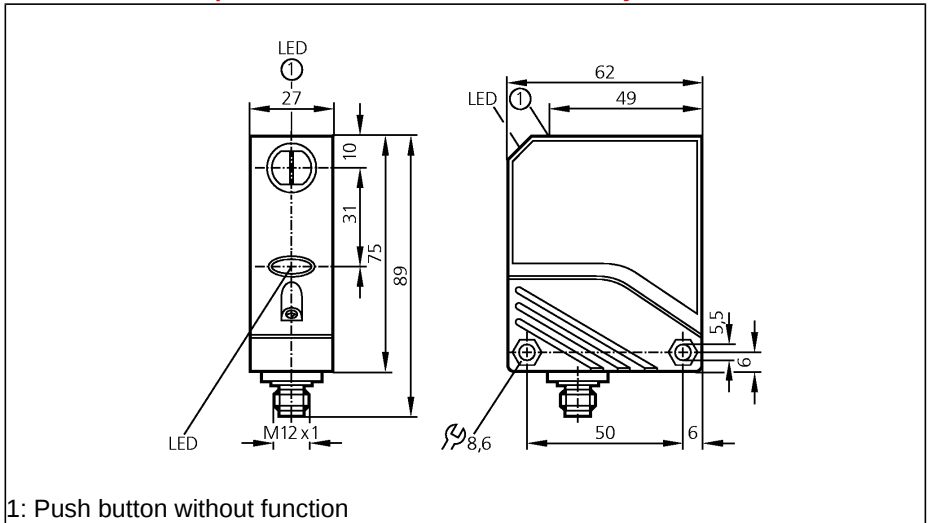
Photoelectric sensors

Alternative article: O4S200 or O4S500 or O5S200 or O5S500
When selecting an alternative article please note that technical data may differ!

OL5012

OLS-OOKG/US
 Through-beam sensor
 Rectangular plastic
 Quick disconnect
 Transmitter

 Sensing range 25m



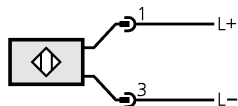
1: Push button without function



Electrical design	
Light spot diameter	[mm]
Operating voltage	[V]
Short-circuit protection	
Reverse polarity protection	
Overvoltage protection	
Current consumption	[mA]
Type of light	
Operating temperature	[°C]
Protection	
EMC	
Housing material	
Material lens	
Function display	
Power	LED
Connection	

DC	
	< 2500 (RW max = 25m)
	10...36 DC
	Yes (non-latching)
	yes
	yes
	< 22
	transmitter infrared 880 nm
	-25...80
	IP 67, II
	EN 60947-5-2
	EN 55011: class B
	PA; PBT
	PMMA
	green
	M12 connector

Wiring



Alternative article: O4S200 or O4S500 or O5S200 or O5S500
When selecting an alternative article please note that technical data may differ!

Photoelectric sensors

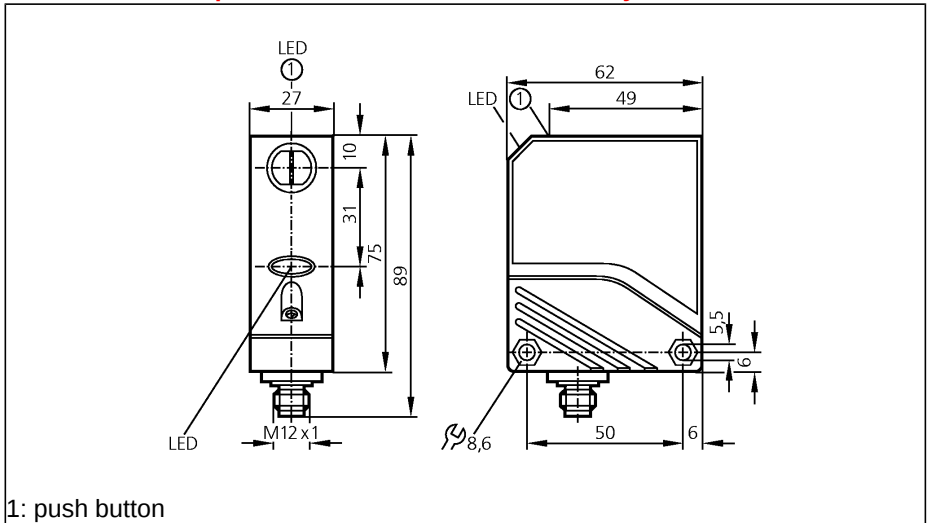
Alternative article: O4E200 or O4E500 or O5E200 or O5E500
When selecting an alternative article please note that technical data may differ!

OL5016

OLE-FPKG/US
 Through-beam sensor
 Rectangular plastic
 Quick disconnect

Function check output
 Receiver

Sensing range 25m



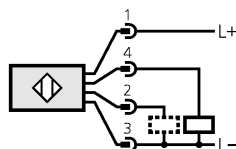
1: push button



Electrical design	
Output	
Operating voltage	[V]
Current rating	
Switching output	[mA]
Function check output	[mA]
Short-circuit protection	
Reverse polarity protection	
Overvoltage protection	
Voltage drop	
Switching output	[V]
Function check output	[V]
Current consumption	[mA]
Switching frequency	[Hz]
Type of light	
Operating temperature	[°C]
Protection	
EMC	
Housing material	
Material lens	
Function display	
Switching status	LED
Power	LED
Function	LED
Connection	

DC PNP	
light-on / dark-on programmable	
Operating voltage	10...36 DC
Current rating	200 (...50 °C) / 100 (...80 °C)
Switching output	10
Short-circuit protection	Yes (non-latching)
Reverse polarity protection	yes
Overvoltage protection	yes
Voltage drop	< 2.5
Switching output	< 3.5
Current consumption	< 30
Switching frequency	500
Type of light	receiver infrared light 880 nm
Operating temperature	-25...80
Protection	IP 67, II
EMC	EN 60947-5-2 EN 55011: class B
Housing material	PA; PBT
Material lens	PMMA
Function display	
Switching status	yellow
Power	green
Function	red
Connection	M12 connector

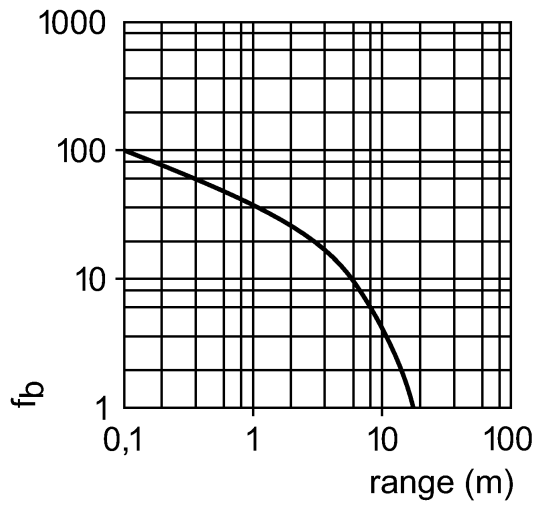
Wiring



2: function check

OL5016

excess gain graphs



Alternative article: O4E200 or O4E500 or O5E200 or O5E500
When selecting an alternative article please note that technical data may differ!