

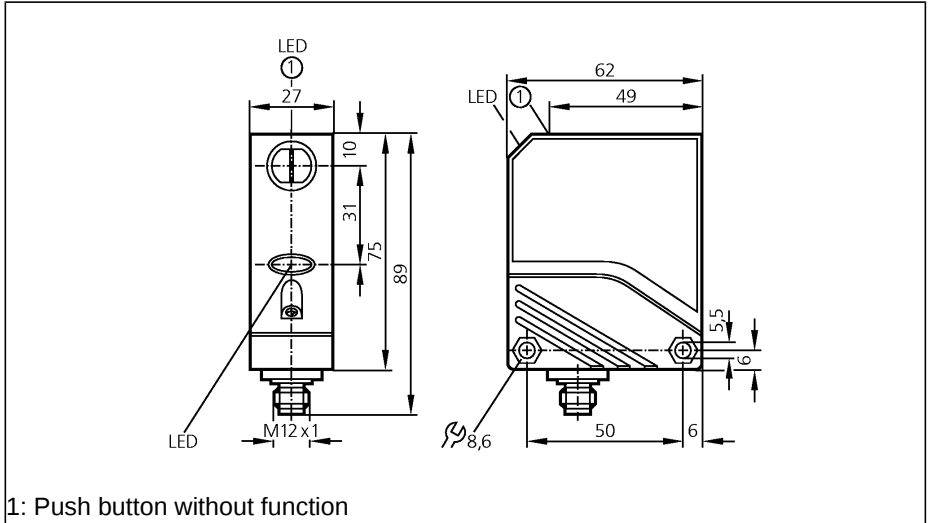
Photoelectric sensors

Alternative article: O4S200 or O4S500 or O5S200 or O5S500
When selecting an alternative article please note that technical data may differ!

OL5012

OLS-OOKG/US
 Through-beam sensor
 Rectangular plastic
 Quick disconnect
 Transmitter

 Sensing range 25m

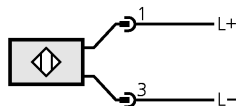


1: Push button without function



Electrical design	DC
Light spot diameter [mm]	< 2500 (RW max = 25m)
Operating voltage [V]	10...36 DC
Short-circuit protection	Yes (non-latching)
Reverse polarity protection	yes
Overvoltage protection	yes
Current consumption [mA]	< 22
Type of light	transmitter infrared 880 nm
Operating temperature [°C]	-25...80
Protection	IP 67, II
EMC	EN 60947-5-2 EN 55011: class B
Housing material	PA; PBT
Material lens	PMMA
Function display	
Power LED	green
Connection	M12 connector

Wiring



Alternative article: O4S200 or O4S500 or O5S200 or O5S500
When selecting an alternative article please note that technical data may differ!

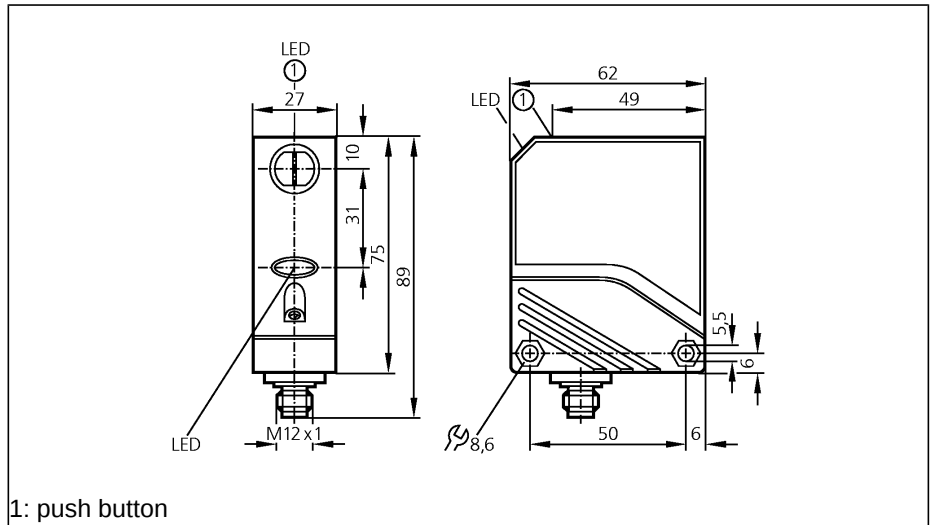
Photoelectric sensors

OL5018

OLE-FNKG/US
Through-beam sensor
Rectangular plastic
Quick disconnect

Function check output
Receiver

Sensing range 25m

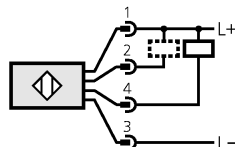


1: push button



Electrical design	DC NPN
Output	light-on / dark-on programmable
Operating voltage [V]	10...36 DC
Current rating	
Switching output [mA]	200 (...50 °C) / 100 (...80 °C)
Function check output [mA]	10
Short-circuit protection	Yes (non-latching)
Reverse polarity protection	yes
Overvoltage protection	yes
Voltage drop	
Switching output [V]	< 2.5
Function check output [V]	< 3.5
Current consumption [mA]	< 30
Switching frequency [Hz]	500
Type of light	receiver infrared light 880 nm
Operating temperature [°C]	-25...80
Protection	IP 67, II
EMC	EN 60947-5-2 EN 55011: class B
Housing material	PA; PBT
Material lens	PMMA
Function display	
Switching status LED	yellow
Power LED	green
Function LED	red
Connection	M12 connector

Wiring



2: function check

OL5018

excess gain graphs

